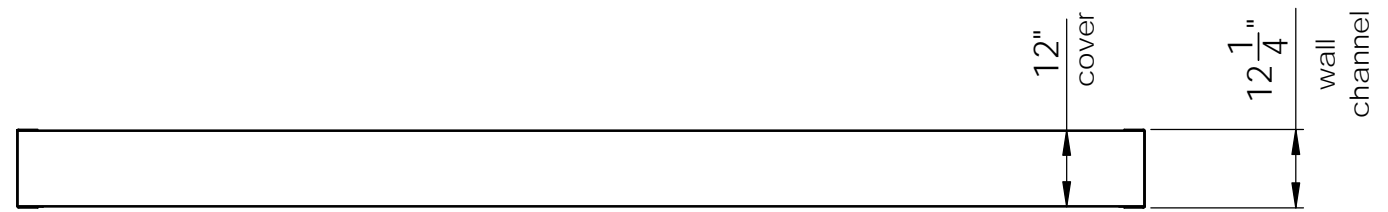


4

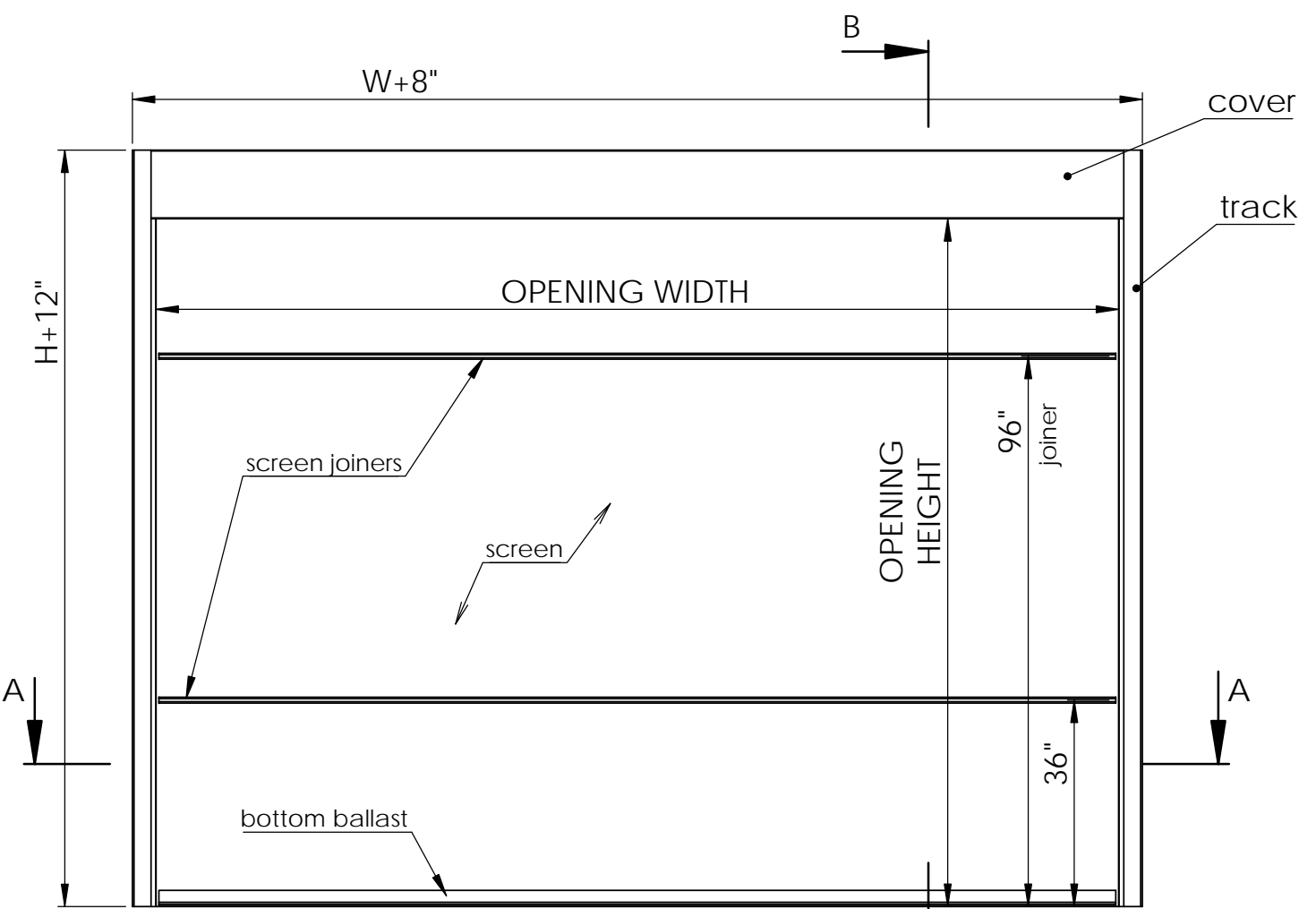
3

2

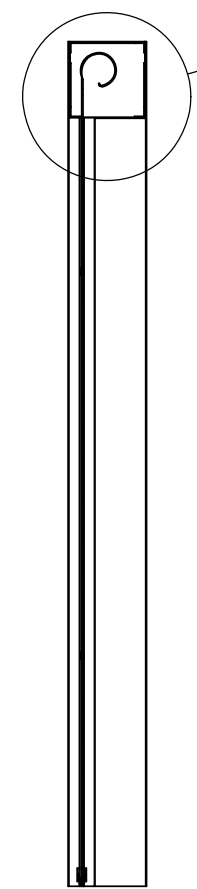
1



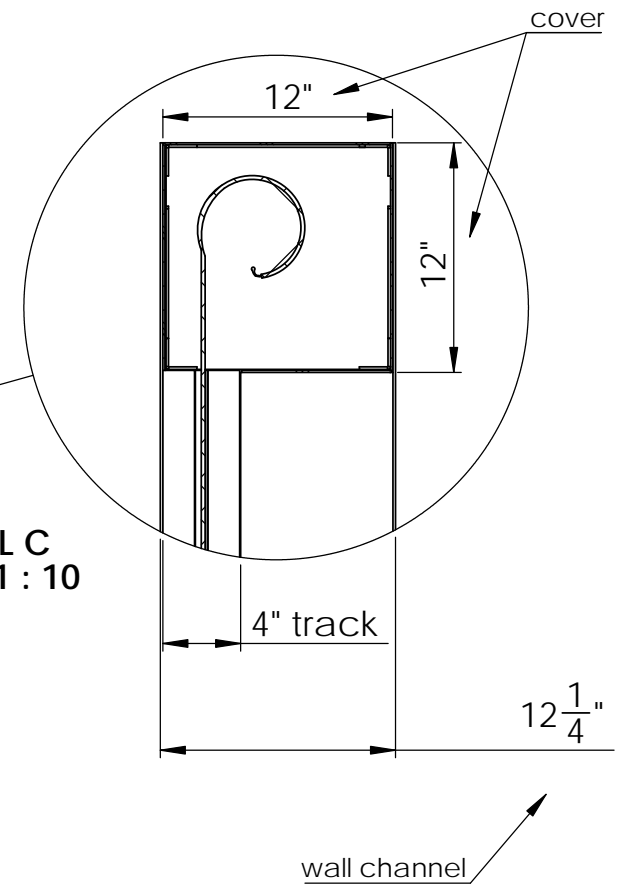
TOP VIEW



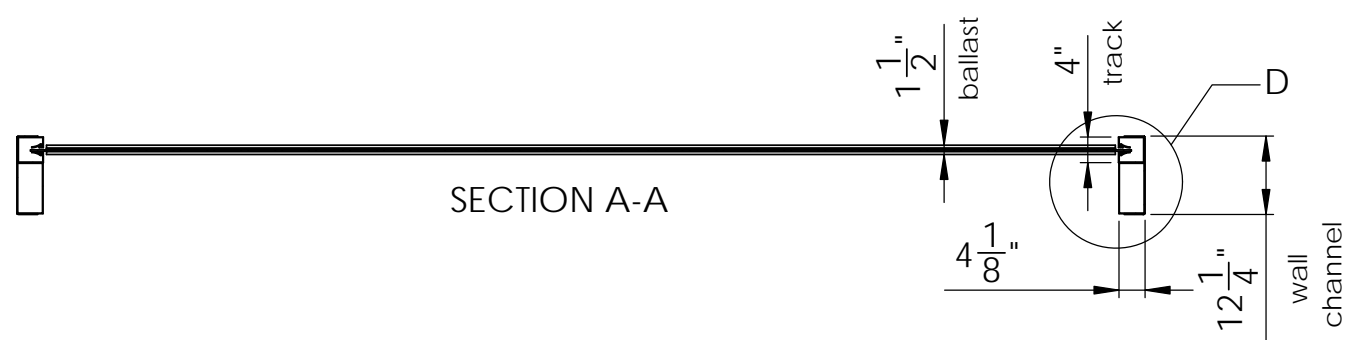
FRONT ELEVATION



SECTION B-B



DETAIL C  
SCALE 1 : 10



SECTION A-A

# Tudelu\_Design\_Details

UNLESS OTHERWISE SPECIFIED:		NAME	DATE		
DIMENSIONS ARE IN INCHES		DRAWN		TITLE:	
TOLERANCES:		CHECKED			
FRACTIONAL ±		ENG APPR.			
ANGULAR: MACH ± BEND ±		MFG APPR.			
TWO PLACE DECIMAL ±		Q.A.		SIZE	DWG. NO.
THREE PLACE DECIMAL ±		COMMENTS:		<b>B</b>	
INTERPRET GEOMETRIC TOLERANCING PER:				SCALE: 1:30	WEIGHT:
MATERIAL					SHEET 1 OF 2
FINISH					
DO NOT SCALE DRAWING					

4

3

2

1

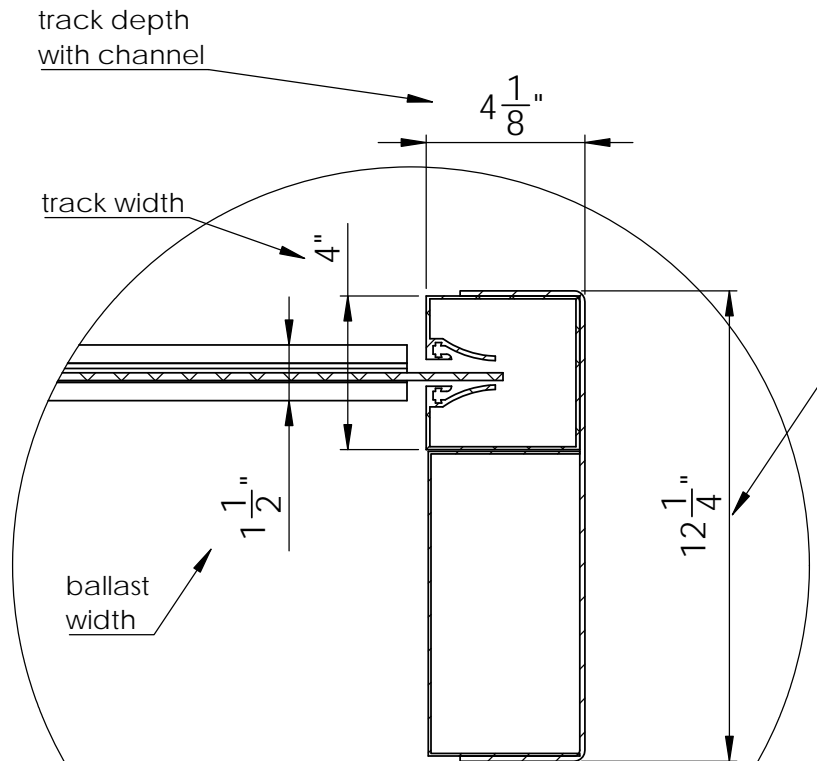
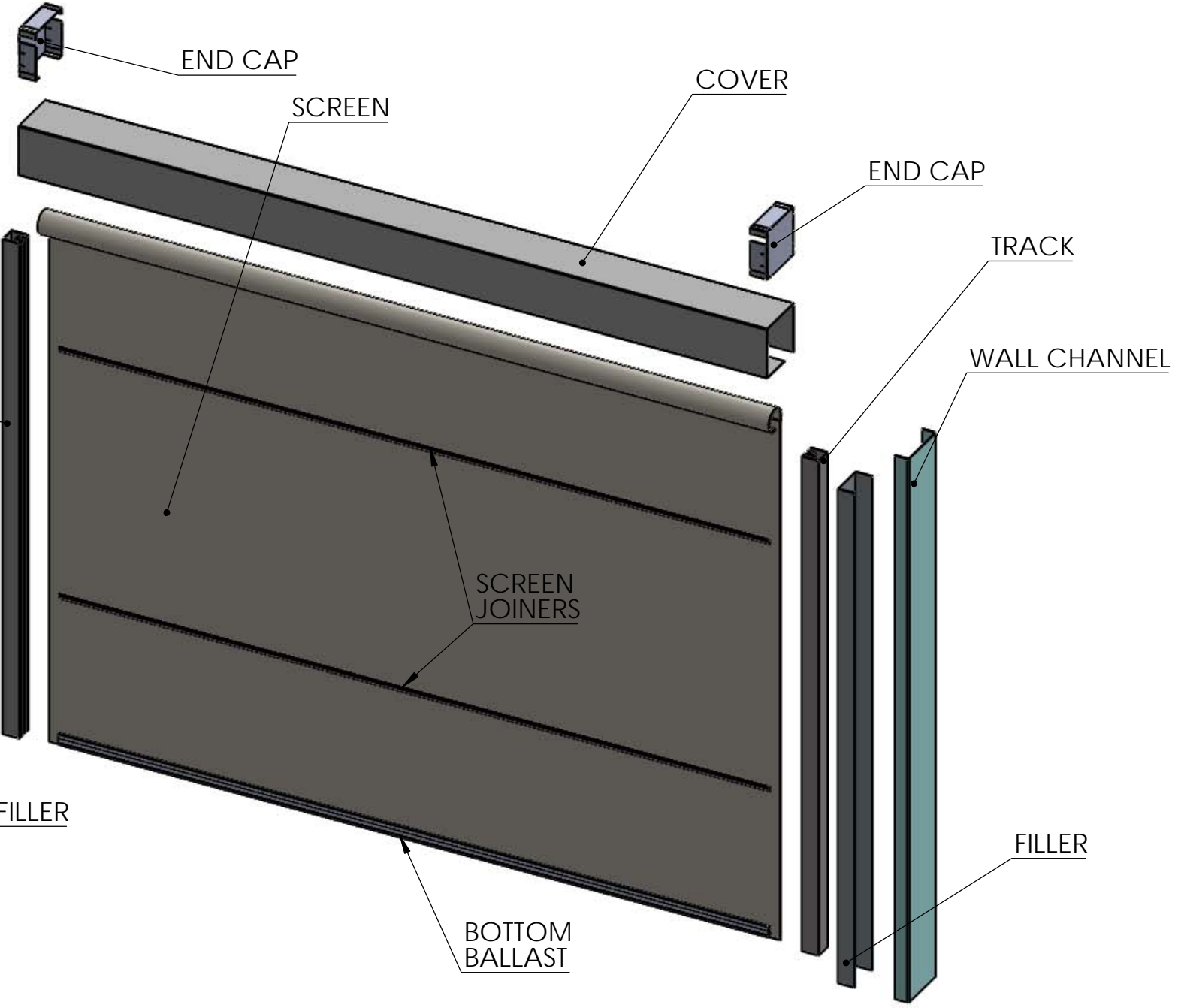
4

3

2

1

Tudelu opening width	Max Size	
opening height	24'-0"	
	9'-0"	



# Tudelu\_Design\_Details

UNLESS OTHERWISE SPECIFIED:		NAME	DATE		
DIMENSIONS ARE IN INCHES		DRAWN		TITLE:	
TOLERANCES:		CHECKED			
FRACTIONAL ±		ENG APPR.			
ANGULAR: MACH ± BEND ±		MFG APPR.			
TWO PLACE DECIMAL ±		Q.A.		SIZE	DWG. NO.
THREE PLACE DECIMAL ±		COMMENTS:		<b>B</b>	
INTERPRET GEOMETRIC TOLERANCING PER:				SCALE: 1:30	WEIGHT:
MATERIAL					SHEET 2 OF 2
FINISH					
DO NOT SCALE DRAWING					

4

3

2

1